

How To:

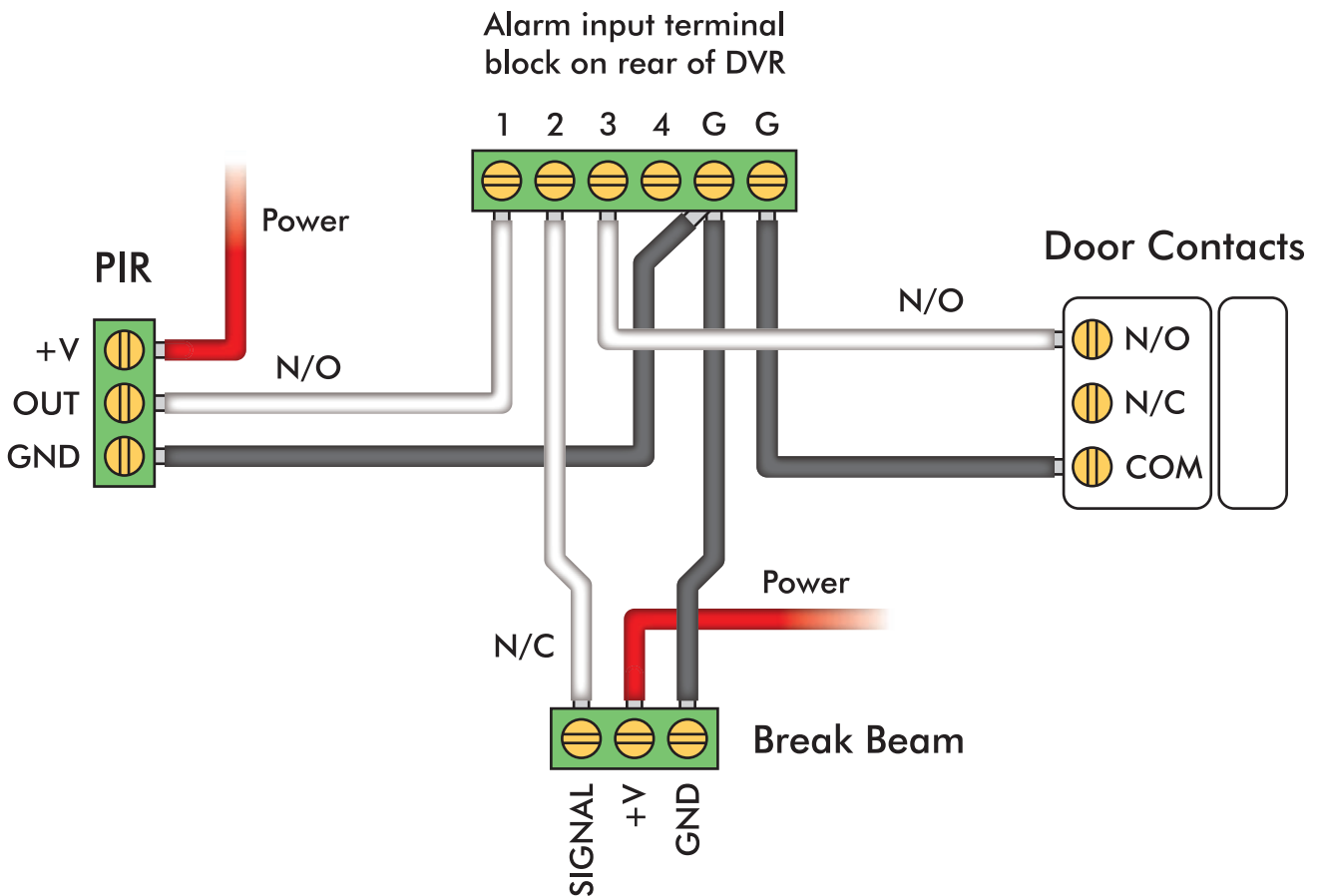
Add Alarm Inputs To An Alien DVR

It's easy to add alarm inputs such as PIRs, door contacts and break beams to an alienDVR. Using alarm inputs can greatly enhance your security system.

Alarm inputs can be used to trigger the DVR to record a specific channel, make a channel fullscreen, send an email notification, open a gate, turn on a light, set of a siren, lock doors and even trigger a VoiceOff unit to welcome customers or warn intruders.

An alarm trigger could also be used to give an RS485 command to a PTZ . For example a PTZ could be set to look at a certain area such as a doorway.

Below is an example of how you may wire the alarm inputs on an alienDVR.



Please Note

These "Technical Tips" help sheets aim to answer commonly asked questions in a concise and informative manner - they are for advice & guidance only and do not replace any of the manuals or other literature supplied with our products.

Last edited:
17/11/2014

Connections

Below is a table describing common connections found on N/O and N/C devices and where to connect them on the DVR.

Connection On Device	Connect To...
Out	Any free numbered connection on the alarm input terminal block
N/O Or N/C (One or the other, not both)	Any free numbered connection on the alarm input terminal block
Signal	Any free numbered connection on the alarm input terminal block
GND (Ground)	Any 'G' connection on the alarm input terminal block
COM (Common)	Any 'G' connection on the alarm input terminal block

Note: The alarm input the device is connected to is the alarm number assigned to that device. E.g. alarm 1 is triggered by whichever device is connected to connection 1.

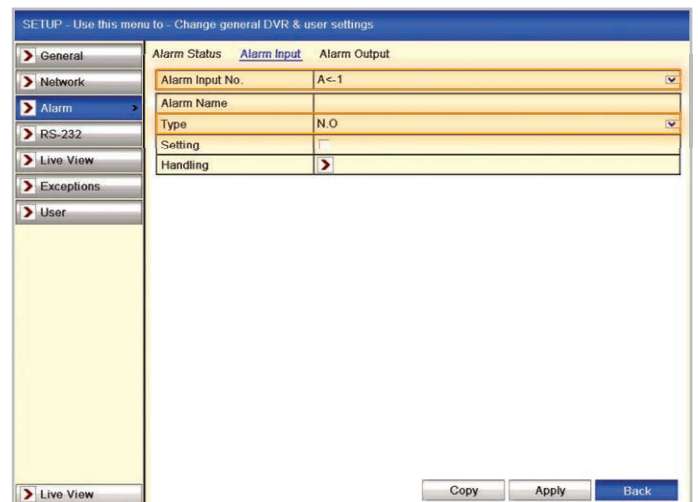
N/O Or N/C?

There is no set rule as to whether an alarm trigger should be set as N/O or N/C as devices differ between manufacturers. For example, most PIRs are N/C yet some are N/O. Some devices may give you the option with terminal connectors for both N/C and N/O.

Thankfully the alarm types can be set to either N/C or N/O in the Alien DVR settings so they will work with all alarm triggers.

To set the alarm type follow these simple steps:

- 1 From the main menu enter the 'Setup' menu click the 'Alarm' tab.
- 2 Click the 'Alarm Input' tab.
- 3 Select the 'Alarm Input Number' from dropdown list.
- 4 Choose N/O or N/C from the 'Type' list.
- 5 Click 'Apply' to save the new settings.



Setting Alarm Types Demonstrated On An AlienHero

Please Note

These "Technical Tips" help sheets aim to answer commonly asked questions in a concise and informative manner - they are for advice & guidance only and do not replace any of the manuals or other literature supplied with our products.

Last edited:
17/11/2014